

**PLEASE CHECK WWW.MOLEX.COM FOR LATEST PART INFORMATION**

**Part Number:** **0191640419**  
**Status:** **Active**  
**Description:** Perma-Seal™ Ring Tongue Terminal for 18-22 AWG Wire, Stud Size 8, Mylar Tape Carrier

**Documents:**

[Drawing \(PDF\)](#) [RoHS Certificate of Compliance \(PDF\)](#)

**Agency Certification**

CSA LR18689  
 UL E32244

**General**

Product Family Ring and Spade Terminals  
 Series 19164  
 Crimp Quality Equipment Yes  
 Mil-Spec N/A  
 Product Name Perma-Seal™  
 Type Ring

**Physical**

Barrel Type Closed  
 Flammability 94V-2  
 Insulation NiAc™  
 Material - Plating Mating Tin  
 Packaging Type Adhesive Tape on Reel  
 Stud Size 8 (M4)  
 Wire Insulation Diameter 5.97mm (.235")  
 Wire Size AWG 18, 20, 22  
 Wire Size mm² 0.38 - 0.96

**Material Info**

Old Part Number SA-221-08T

**Reference - Drawing Numbers**

Sales Drawing SD-19164-006



**EU RoHS**

**ELV and RoHS Compliant**  
**REACH SVHC**  
 Not Reviewed  
**Halogen-Free Status**  
 Not Reviewed

**China RoHS**



**Need more information on product environmental compliance?**

Email [productcompliance@molex.com](mailto:productcompliance@molex.com)  
 For a multiple part number RoHS Certificate of Compliance, [click here](#)

Please visit the [Contact Us](#) section for any non-product compliance questions.

**Search Parts in this Series**

[19164Series](#)

**Application Tooling | [FAQ](#)**

*Tooling specifications and manuals are found by selecting the products below. Crimp Height Specifications are then contained in the Application Tooling Specification document.*

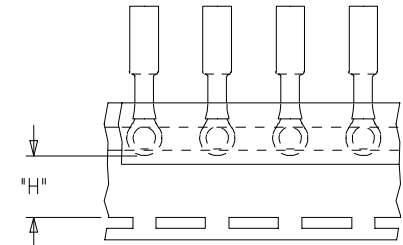
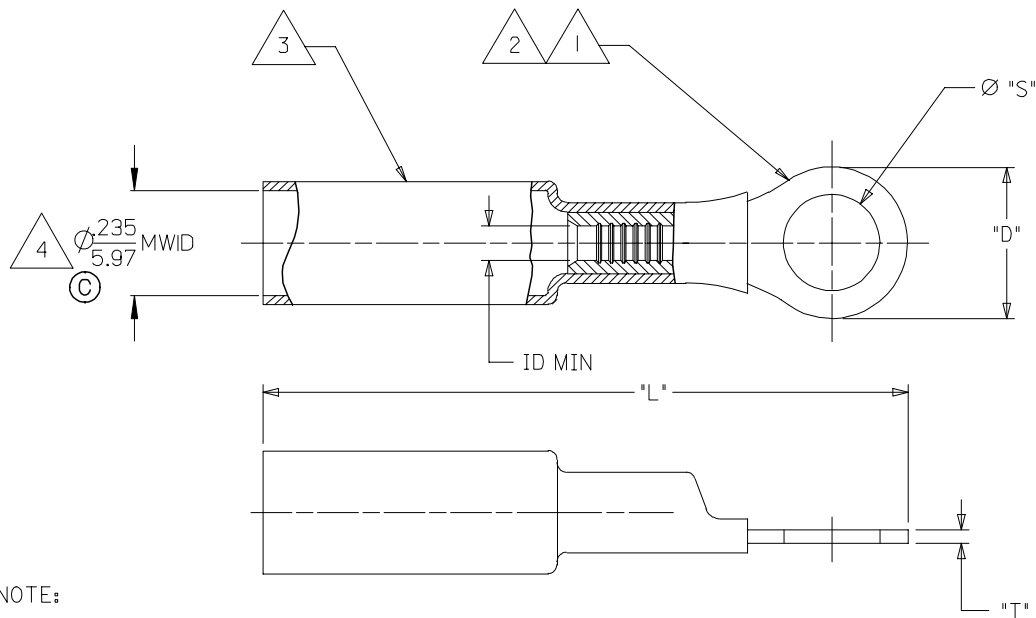
**Global**

Description	Product #
Power Crimp Tool Head for Prema-Seal™ Terminals 10-22 AWG	<a href="#">0640057400</a>
ATP Perishable Tool Kit Used in ATP Presses that Process 18-22 AWG Product on Tape	<a href="#">0198082009</a>
Hand Crimp Tool, UL Approved	<a href="#">0640017400</a>

This document was generated on 04/14/2010

**PLEASE CHECK [WWW.MOLEX.COM](http://WWW.MOLEX.COM) FOR LATEST PART INFORMATION**

	10	9	8	7	6	5	4	3	2	1	
F	MATERIAL NUMBER	ENGINEERING NUMBER	MATERIAL NUMBER ON TAPE	ENGINEERING NUMBER ON TAPE	STUD SIZE	HOLE "S" $\pm 0.005$ $\pm 0.03$	"D" MAX	"H" $\pm 0.10$ $\pm 0.25$	"L" MAX	"T" REF	ID MIN
	191640085	SA-221-06	---	---	#6	$\varnothing .146/3.71$	$\varnothing .32/8.1$	---	1.46/37.1	.028/0.71	.064/1.63
	191640086	SA-221-08	191640419	SA-221-08T	#8	$\varnothing .173/4.39$	$\varnothing .32/8.1$	.534/13.56	1.46/37.1	.028/0.71	.064/1.63
	191640003	SA-221-10	191640306	SA-221-10T	#10	$\varnothing .198/5.03$	$\varnothing .32/8.1$	.534/13.56	1.46/37.1	.028/0.71	.064/1.63
	191640004	SA-222-14	191640844	SA-222-14T	1/4	$\varnothing .265/6.73$	$\varnothing .48/12.2$	.340/8.65	1.66/42.2	.028/0.71	.055/1.40
	191640005	SA-226-38	191640845	SA-226-38T	3/8	$\varnothing .390/9.91$	$\varnothing .54/13.7$	.328/8.33	1.95/49.5	.032/0.81	.055/1.40



- NOTE:
- 1. TERMINAL MATERIAL: COPPER ALLOY
  - 2. FINISH: ELECTRO TIN PLATE.
  - 3. INSULATION MATERIAL: HEAT SHRINKABLE TUBING WITH HOTMELT ADHESIVE INNER LINER. COLOR: RED.
  - 4. MWID = MAXIMUM WIRE INSULATION DIAMETER.

SALES DRAWING

CHANGED MWID EC NO: ETC2006-0154 DRWN:NASAYDEH 2005/12/21 CHKD: ILOMASTRO 2005/12/21 APPR: JPAMLIK 2005/12/21	QUALITY SYMBOLS	GENERAL TOLERANCES (UNLESS SPECIFIED)	DIMENSION STYLE IN/MM	SCALE ---	DESIGN UNITS INCH	THIRD ANGLE PROJECTION																												
	$\nabla=0$ $\nabla=0$	<table border="1"> <thead> <tr> <th></th> <th>mm</th> <th>INCH</th> </tr> </thead> <tbody> <tr> <td>4 PLACES</td> <td><math>\pm</math> ---</td> <td><math>\pm</math> ---</td> </tr> <tr> <td>3 PLACES</td> <td><math>\pm 0.13</math></td> <td><math>\pm .005</math></td> </tr> <tr> <td>2 PLACES</td> <td><math>\pm 0.25</math></td> <td><math>\pm .010</math></td> </tr> <tr> <td>1 PLACE</td> <td><math>\pm</math> ---</td> <td><math>\pm</math> ---</td> </tr> </tbody> </table>		mm	INCH	4 PLACES	$\pm$ ---	$\pm$ ---	3 PLACES	$\pm 0.13$	$\pm .005$	2 PLACES	$\pm 0.25$	$\pm .010$	1 PLACE	$\pm$ ---	$\pm$ ---	<table border="1"> <thead> <tr> <th>DRAWN BY</th> <th>DATE</th> </tr> </thead> <tbody> <tr> <td>BENDERLE</td> <td>2005/5/14</td> </tr> <tr> <th>CHECKED BY</th> <th>DATE</th> </tr> <tr> <td>HBEITZEL</td> <td>2005/5/14</td> </tr> <tr> <th>APPROVED BY</th> <th>DATE</th> </tr> <tr> <td>RDEROSS</td> <td>2005/5/14</td> </tr> </tbody> </table>	DRAWN BY	DATE	BENDERLE	2005/5/14	CHECKED BY	DATE	HBEITZEL	2005/5/14	APPROVED BY	DATE	RDEROSS	2005/5/14	TITLE	RING TONGUE TERMINAL PERMA-SEAL NIAC 22-18 AWG		
		mm	INCH																															
	4 PLACES	$\pm$ ---	$\pm$ ---																															
3 PLACES	$\pm 0.13$	$\pm .005$																																
2 PLACES	$\pm 0.25$	$\pm .010$																																
1 PLACE	$\pm$ ---	$\pm$ ---																																
DRAWN BY	DATE																																	
BENDERLE	2005/5/14																																	
CHECKED BY	DATE																																	
HBEITZEL	2005/5/14																																	
APPROVED BY	DATE																																	
RDEROSS	2005/5/14																																	
<table border="1"> <thead> <tr> <th>MATERIAL NO.</th> <th>DOCUMENT NO.</th> <th>SHEET NO.</th> </tr> </thead> <tbody> <tr> <td>SEE CHART</td> <td>SD-19164-006</td> <td>1 OF 1</td> </tr> </tbody> </table>	MATERIAL NO.	DOCUMENT NO.	SHEET NO.	SEE CHART	SD-19164-006	1 OF 1	<table border="1"> <thead> <tr> <th>SIZE</th> <th colspan="5">THIS DRAWING CONTAINS INFORMATION THAT IS PROPRIETARY TO MOLEX INCORPORATED AND SHOULD NOT BE USED WITHOUT WRITTEN PERMISSION</th> </tr> </thead> <tbody> <tr> <td>B</td> <td colspan="5"></td> </tr> </tbody> </table>					SIZE	THIS DRAWING CONTAINS INFORMATION THAT IS PROPRIETARY TO MOLEX INCORPORATED AND SHOULD NOT BE USED WITHOUT WRITTEN PERMISSION					B																
MATERIAL NO.	DOCUMENT NO.	SHEET NO.																																
SEE CHART	SD-19164-006	1 OF 1																																
SIZE	THIS DRAWING CONTAINS INFORMATION THAT IS PROPRIETARY TO MOLEX INCORPORATED AND SHOULD NOT BE USED WITHOUT WRITTEN PERMISSION																																	
B																																		